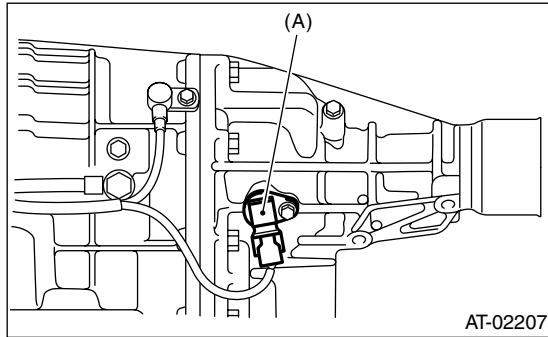


26.Extension Case

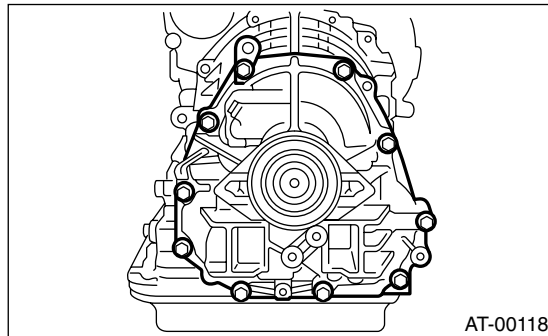
A: REMOVAL

- 1) Remove the transmission assembly.
<Ref. to 4AT-37, REMOVAL, Automatic Transmission Assembly.>
- 2) Remove the rear vehicle speed sensor.



(A) Rear vehicle speed sensor

- 3) Separate the transmission case and extension case part.



B: INSTALLATION

- 1) Attach the selected thrust needle bearing to the end surface of reduction drive gear with vaseline.

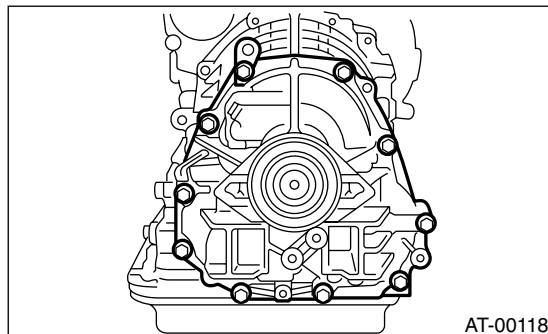
NOTE:

Install the thrust needle bearing in correct direction.

- 2) Install a new gasket.
- 3) Install the extension case to transmission case.
- 4) Tighten bolts to secure extension case.

Tightening torque:

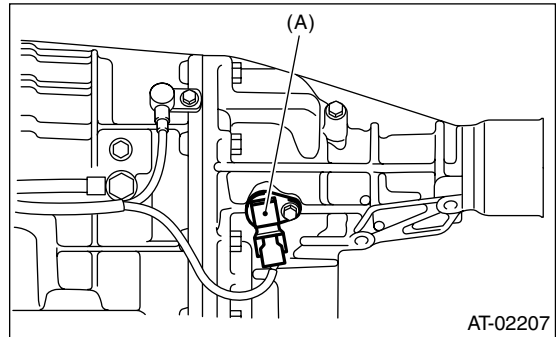
25 N·m (2.5 kgf-m, 18 ft-lb)



- 5) Install the rear vehicle speed sensor.

Tightening torque:

7 N·m (0.7 kgf-m, 5.1 ft-lb)



(A) Rear vehicle speed sensor

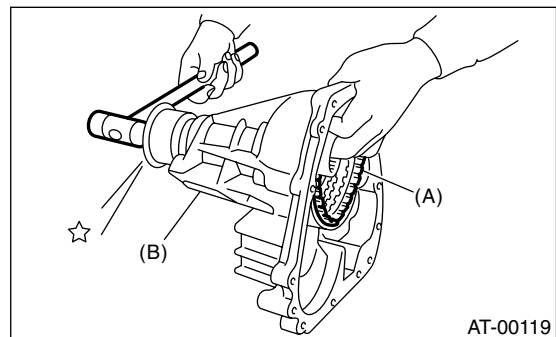
- 6) Install the transmission assembly.
<Ref. to 4AT-39, INSTALLATION, Automatic Transmission Assembly.>

C: DISASSEMBLY

- 1) Take out the transfer clutch by lightly tapping the end of rear drive shaft.

NOTE:

Be careful not to damage the oil seal of extension case.



(A) Extension case

(B) Transfer clutch